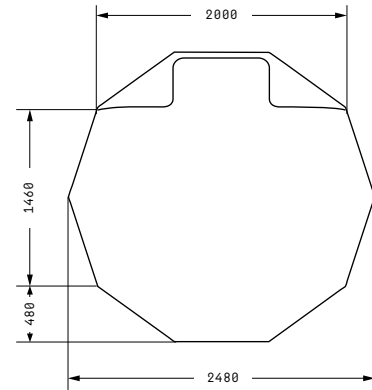
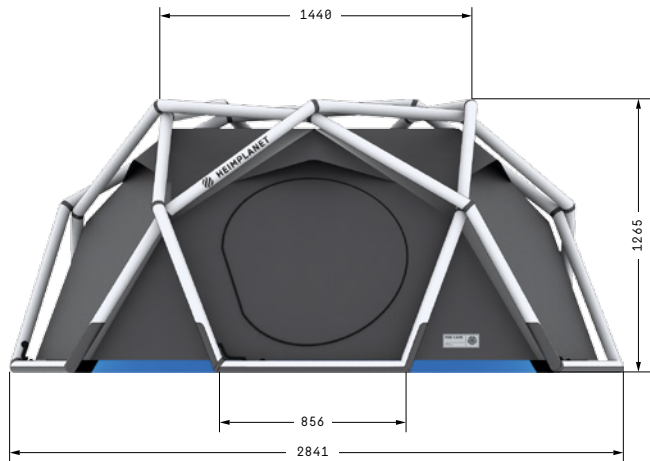


THE CAVE FACTSHEET

ALL DIMENSIONS IN MM



SIZE

2-3-PERSON TENT

GROUND AREA: 5 SQM
[54 SQFT]

OVERALL HEIGHT: 125 CM
[59 INCH]

HEIGHT OF INNER TENT:
102 CM [40 INCH]

PACK SIZE: 40 X 32 X 23 CM
[16 X 13 X 9 INCH]

COLORS

LIGHT GREY
DARK GREY
OCEAN BLUE

WEIGHT

5.2 KG [11.90 LBS]

INCLUDED

PEGS, REPAIR KIT, GUY
LINES, PACK SACK, GEAR
LOFT

MATERIAL

AIRFRAME: RECYCLABLE MATERIAL

OUTER LAYER: EXTRA STIFF AND RESISTANT
POLYESTER

INNER LAYER: FLEXIBLE THERMOPLASTIC
POLYURETHANE

FLY SHEET: 100% POLYESTER 75D¹ 190T² RIPSTOP,
PU 5.000 MM

INNER TENT: 100% NYLON 40D¹ 210T² RIPSTOP,
BREATHABLE

GROUND SHEET: 100% NYLON TAFETTA 70D¹ 210T²,
PU³ 7.000 MM⁴

FEATURES

Intuitive and extremely fast pitching (roll out, inflate, finished).

Simultaneous erection of air frame, inner tent and flysheet.

One-Pump System allows complete erection with only one inflation procedure.

Stable and robust air frame with geodesic structure.

Multi Chamber Safety System allows separation of the air frame in five independent air chambers – for emergency stability in case of defect of one or even two chambers.

Five closable ventilation openings at the fly sheet.

Vestibule at the entrance area.

Double-layer air struts.

Round ground area offers enough space for three persons to sleep, plus baggage, or up to five persons to sit together.

Light and well-ventilated inner tent with no-see-um mesh and lots of storage space integrated into the side walls.

Entrance of the inner tent can be opened variably by two-way zipper and be used as additional ventilation.